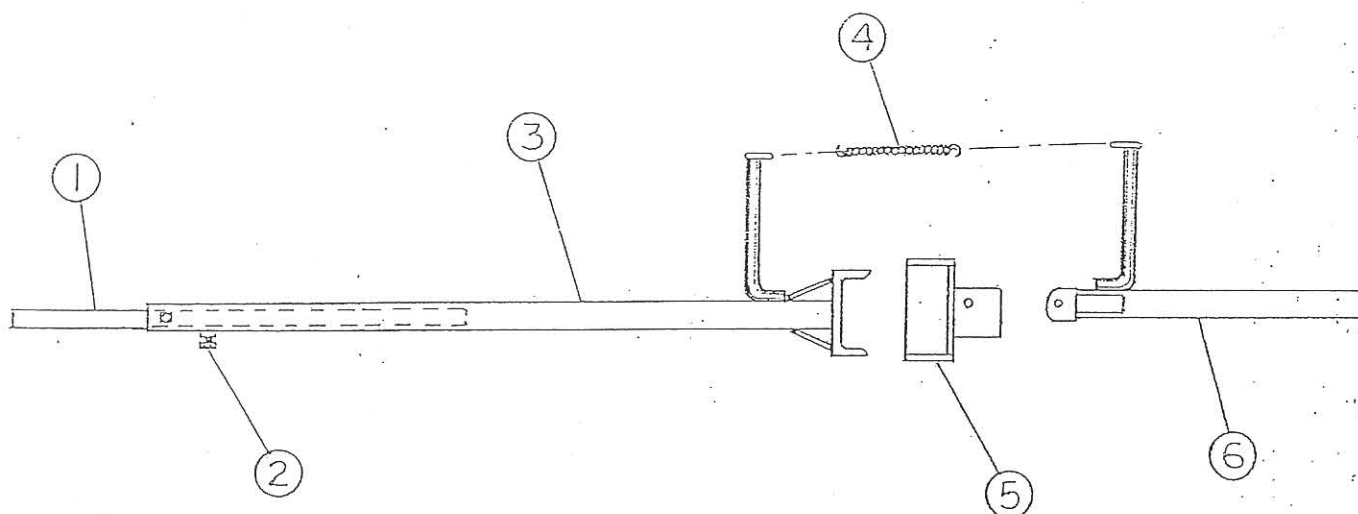


ADJUSTABLE ALMOND BOOM



<u>ITEM</u>	<u>QTY.</u>	<u>DESCRIPTION</u>	<u>PART NO.</u>
1	1	Adjusting Arm	RMB1459-1
2	2	Adjusting Bolt	RP03684.
3	1	Boom	RMB1459-4
4	1	Spring	RP03146
5	1	Boom Knuckle	RMB1213
6	1	Boom Slider	RMB1212

Complete Assembly

RMB1459

Includes:

Two (2) Booms

One (1) Rear Center Section,

Two (2) .H. Mounting Brackets

All Hoses and Fittings