

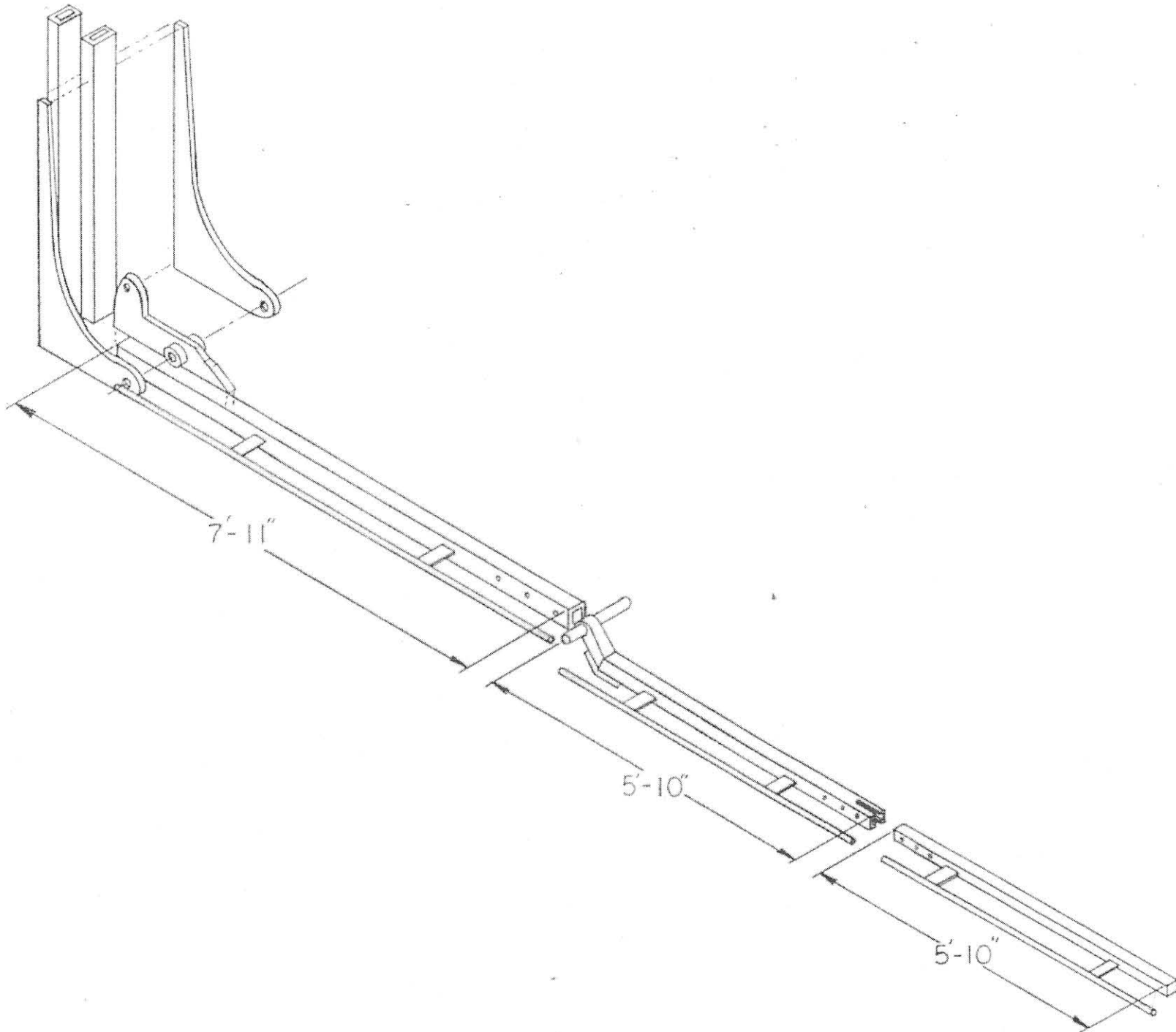
3 STAGE DITCH BOOM ASSY.

<u>ITEM</u>	<u>QTY.</u>	<u>DESCRIPTION</u>	<u>PART NO.</u>
1	2	Boom Mount Arm	RMA5068
2	2	Boom Mount	RMB1297
3	1	Cylinder Ear	RMA5069
4	2	Main Boom Support Arm	RMB1151
5	1	Hydraulic Cylinder- 1st Stage	RP03275
6	1	Boom Pivot & Cylinder Mt.	RMB1154
7	1	Set Collar	RMA5070
8	1	Spring Pin	RP03330
9	1	Main Boom Pivot Pin	RMB1152
10	1	Brass Bushing	RMA5071
11	1	Pivot Bearing- See Item 10	
12	1	Main Boom	RMB1153
13	2	Cylinder Ear	RMA5073
14	2	Idler Mount- Side	RMA5074
15	2	Idler Mount- Top/Bottom	
16	2	Chain Adjuster	RMA5078
17	1	Pivot Pin- 2nd Boom	RMB1157
18	1	Dog Leg- 2nd Boom	RMB1159
19	1	2nd Boom Assembly	RMB1158
20	2	Hex Head Screw	RP03340
21	1	Gear Guard Bracket	RMA5132
22	2	Boom Pivot- 2nd Stage	RMB1156
23	1	Gear Guard Assembly	RMB1428
24	1	Driven Gear Assembly	RMB1430
25	2	Pivot Plate	RMB1427
26	3	Hex Head Screw	RP03342
27	2	Boom Pin	RMB1429
28	2	Hex Head Screw	RP03341
29	1	Driver Gear Assembly	RMC1547
30	1	3rd Boom Assembly	RMB1361
31	2	Outer Boom Bracket	RMB1431
32	5	Spring Lock Washer	RP03379
33	5	Hex Nut	RP03326
34	4	Set Collar	RP03348
35	1	Hydraulic Cylinder- 3rd Boom	RP03276
36	2	Dog Leg Brace	RMA5081
37		Boom End Plugs	
38	2	Pivot Bearing	RMA5079
39	2	Brass Bushing	See Item 38
40	1	Drive Sprocket- 2nd Boom	RP03358
41	1	Bushing	RP03236
42	2	Cylinder Mount On Chain	RMB1160
43	1	Chain	

44	2	Cylinder Support	RMA5076
45	2	Sprocket Pin	RMA5077
46	2	Idler Mount Stop	
47	2	Brass Bushing	RMA5082
48	2	Idler Mount Bracket	RMB1161
49	2	Chain Guard	RMB1162
50	1	Hydraulic Cylinder- 2nd Boom	RP03274
51	2	Idler Sprocket	RMA5083
52	2	Idler Gear Spacer	RMA5075
53	1	Support Brace	RMB1155
54	2	Set Collar	RP03347

Complete Assembly	RMC1012
-------------------	---------

3 STAGE DITCH BOOM



Just a few examples of the versatility
of adjustments for the **RANDELL 3 STAGE**
DITCH BOOM

