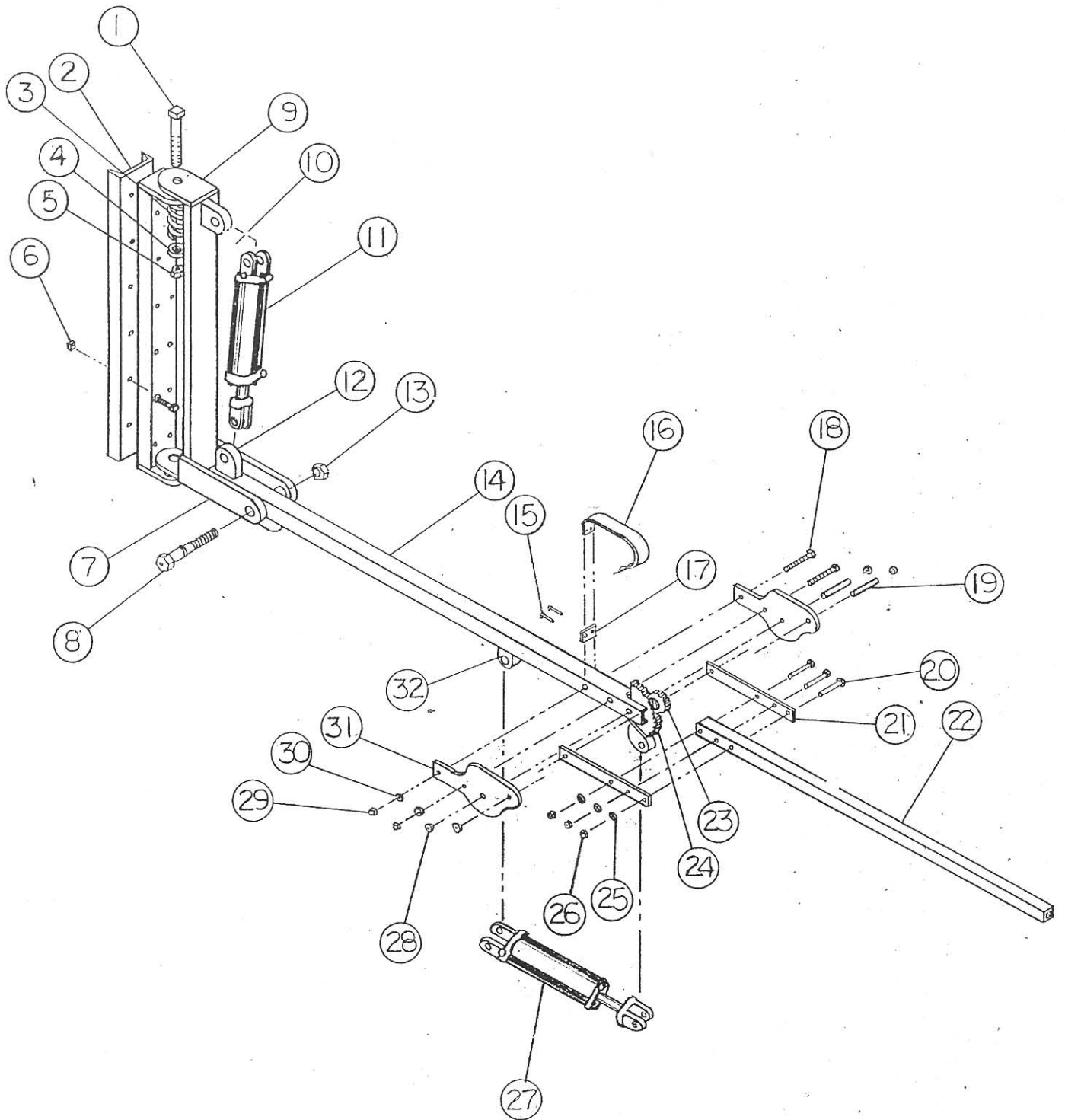


2 STAGE DITCH BOOM



2 STAGE DITCH BOOM ASSY.

<u>ITEM</u>	<u>QTY.</u>	<u>DESCRIPTION</u>	<u>PART NO.</u>
1	2	Square Head Bolt	RP03443
2	1	Boom Bracket	RMB1422
3	2	Spring	RP03418
4	2	Spring Lock Washer	RP03444
5	2	Hex Nut	RP03445
6	12	Square Nut	RP03446
7	2	Support Brace	RMB1301
8	1	Main Boom Pin	RMB1425
9	4	Clutch Mount	RMB1303
10	1	Boom & Cylinder Bracket	RMB1424
11	1	Hydraulic Cylinder	RP03274
12	1	Cylinder Ear	RMB1302
13	1	Lock Nut	RP03447
14	1	Inner Boom Assembly	RMB1426
15	2	Hex Head Bolt	RP03340
16	1	Gear Guard	RMB1438
17	1	Gear Guard Bracket	RMA5132
18	2	Hex Head Bolt	RP03342
19	2	Boom Pin	RMB1429
20	3	Hex Head Screw	RP03341
21	2	Outer Boom Bracket	RMB1431
22	1	Outer Boom	RMB1432
23	1	Cluster Gear Assembly	RMB1430
24	1	Sliding Gear Assembly	RMC1547
25	3	Spring Lock Washer	RP03379
26	3	Hex Nut	RP03448
27	1	Hydraulic Cylinder	RP03276
28	4	Set Collar	RP03347
29	2	Hex Nut	RP03448
30	2	Spring Lock Washer	RP03379
31	2	Pivot Plate	RMB1427
32	1	Cylinder Ear	RMB1300
		Complete Assembly	RMD1824

2 STAGE DITCH BOOM

