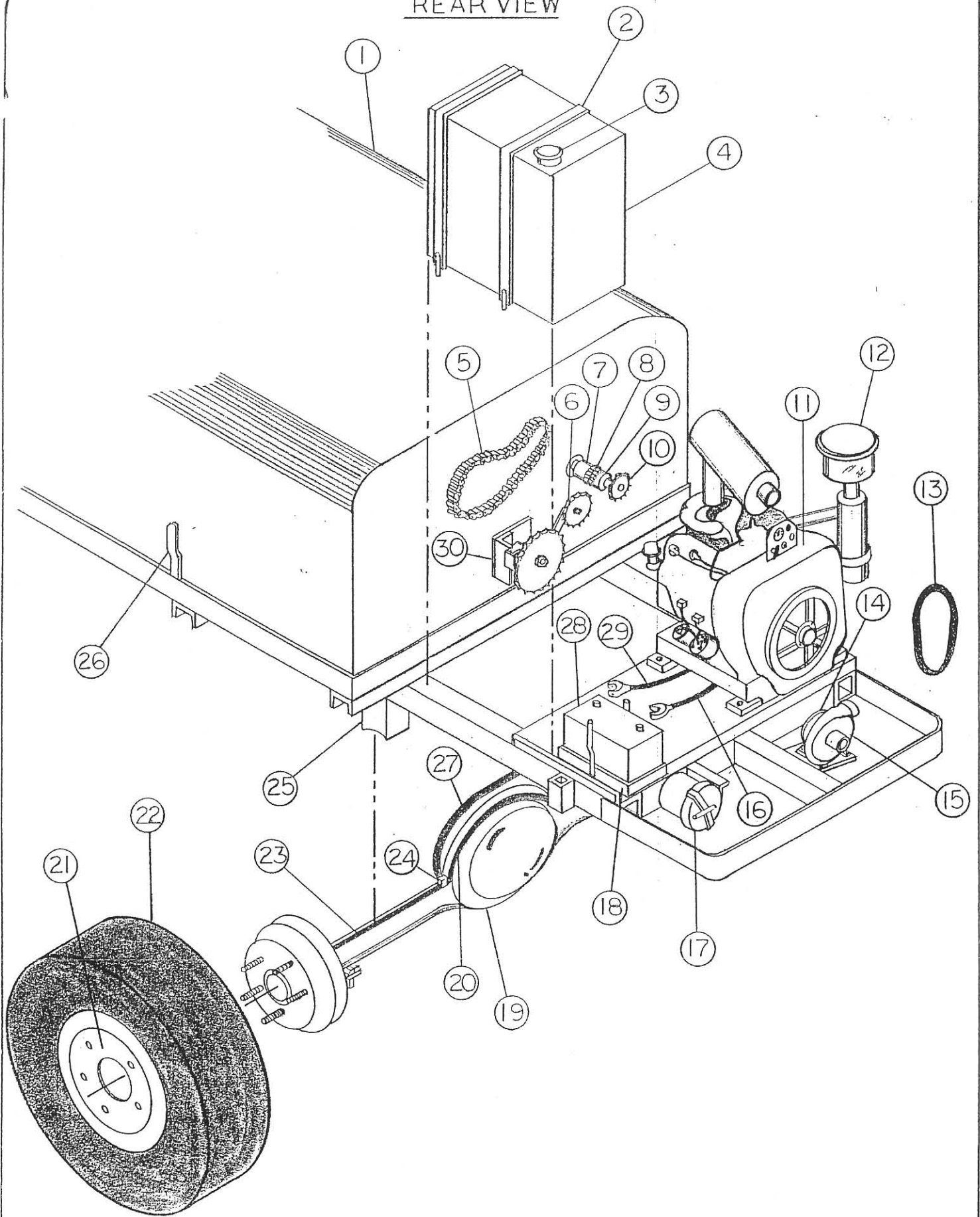


REAR VIEW



REAR VIEW RW-8 w/S.S. TANK

<u>ITEM</u>	<u>QTY.</u>	<u>DESCRIPTION</u>	<u>PART NO.</u>
1	1	300 Gal. S.S. Tank	RMC2509
2	2	Fuel Tank Strap	RMB1305
3	1	Fuel Tank Cap	RP03288
4	1	Fuel Tank Assy.	RMB1327
5	1	Roller Chain	RP03385
6	1	Sprocket	RP03138
7	1	Chain Coupler	RP03262
8	1	Chain	RP03172
9	1	Chain Coupler	RP03268
10	1	Sprocket	RP03356
11	1	30 H.P. Engine	RP03449
12	1	Air Cleaner	RP03462
13	1	Pump Belt	RP03220
14	1	Electric Clutch Assy.	RP03469
15	1	Centrifugal Pump	RP03335
16	1	Battery Cable	RP03451
17	1	Strainer Assy.	RMC2505
18	1	Battery Holder	RMB1221
19	1	Rear Differential	RP03184
20	1	Brake Line	RP03459
21	2	Wheel Center	RMB1131
22	2	Rear Tire	RP03453
23	1	Brake Line	RP03228
24	1	"Y" Fitting	RP03187
25	2	Rear Axle Support	RMB1243
26	2	Hand Wand Holder	RMA5085
27	1	Brake Line	RP03460
28	1	Battery	RP03215
29	1	Battery Cable	RP03247
30	1	Idler Mount Assy.	RMC1001