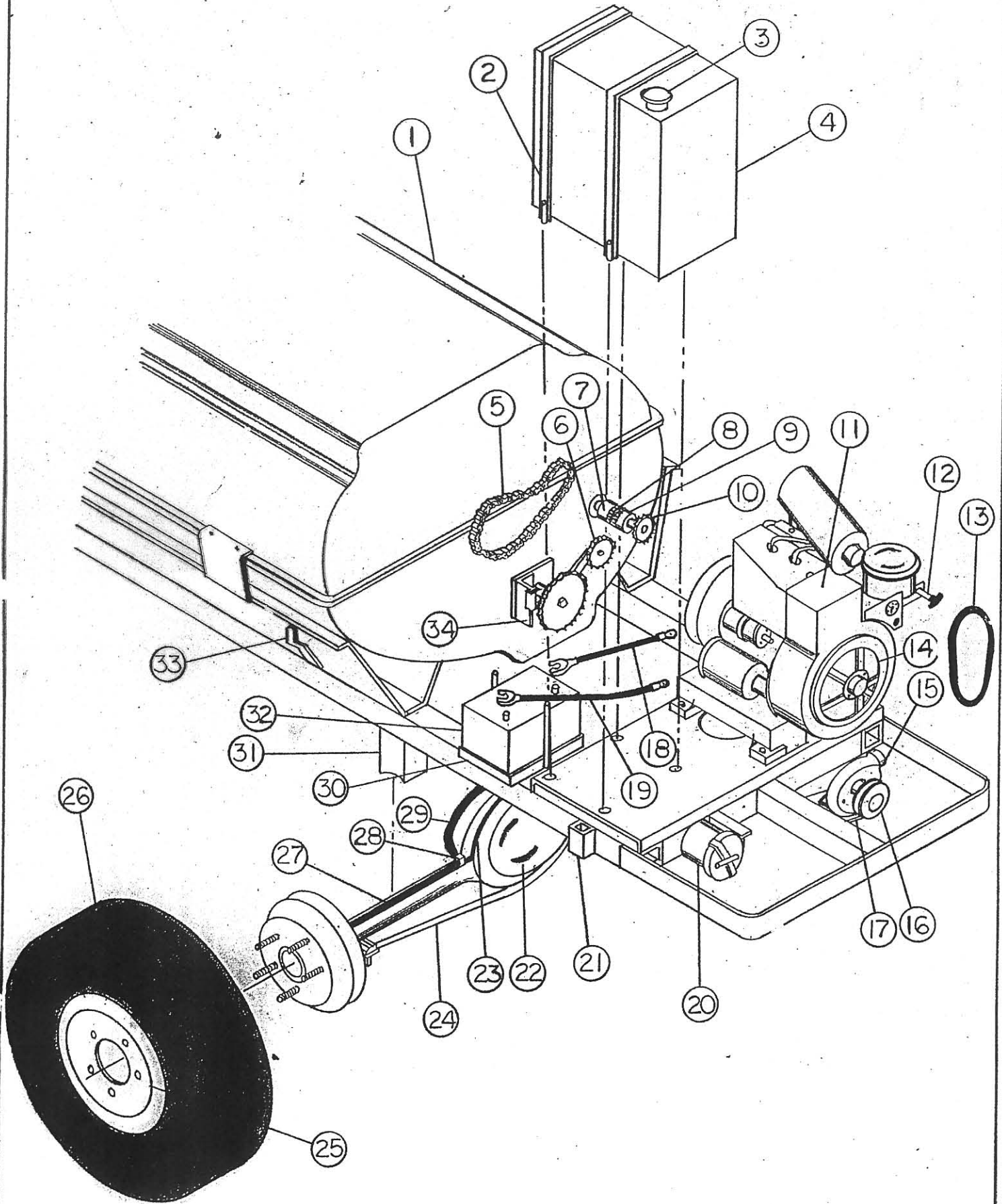


REAR VIEW RW-5



RW-5 W/FIBERGLASS TANK- REAR VIEW

| <u>ITEM</u> | <u>QTY.</u> | <u>DESCRIPTION</u> | <u>PART NO.</u> |
|-------------|-------------|----------------------------|-----------------|
| 1 | 1 | 300 Gallon Fiberglass Tank | RMC1003-1 |
| 2 | 2 | Fuel Tank Strap | RMB1305 |
| 3 | 1 | Fuel Tank Cap | RP03288 |
| 4 | 1 | Fuel Tank Assembly | RMB1327 |
| 5 | 1 | Roller Chain | RP03385 |
| 6 | 1 | Idler Sprocket | RP03138 |
| 7 | 1 | Chain Coupler | RP03267 |
| 8 | 1 | Chain | RP03172 |
| 9 | 1 | Chain Coupler | RP03268 |
| 10 | 1 | Sprocket | RP03356 |
| 11 | 1 | 18 H.P. Gas Engine | RP03287 |
| 12 | 1 | Throttle Bracket | RMB1119 |
| 13 | 1 | Pump Belt | RP03220 |
| 14 | 1 | Pump Sheave- Top | RP03352 |
| 15 | 1 | Centrifugal Pump | RP03335 |
| 16 | 1 | Electric Clutch Assembly | RP03469 |
| 17 | 1 | Pump Mount | RMB1379 |
| 18 | 1 | Negative Battery Cable | RP03386 |
| 19 | 1 | Positive Battery Cable | RP03247 |
| 20 | 1 | #1 Strainer Assembly | RMC2505 |
| 21 | 2 | Boom Pocket | RMA5088 |
| 22 | 1 | Rear Differential | RP03184 |
| 23 | 1 | Brake Line | RP03227 |
| 24 | 1 | Truss Rod | RMB1293 |
| 25 | 2 | Wheel Center | RMB1131 |
| 26 | 2 | Rear Tire | RP03170 |
| 27 | 1 | Brake Line | RP03228 |
| 28 | 1 | "Y" Fitting | RP03187 |
| 29 | 1 | Brake Line | RP03226 |
| 30 | 1 | Battery Holder | RMB1221 |
| 31 | 2 | Rear Axle Support | RMB1243 |
| 32 | 1 | Battery | RP03214 |
| 33 | 2 | Hand Wand Holder | RMA5085 |
| 34 | 1 | Idler Mount Assembly | RMC1001 |

1/1/94