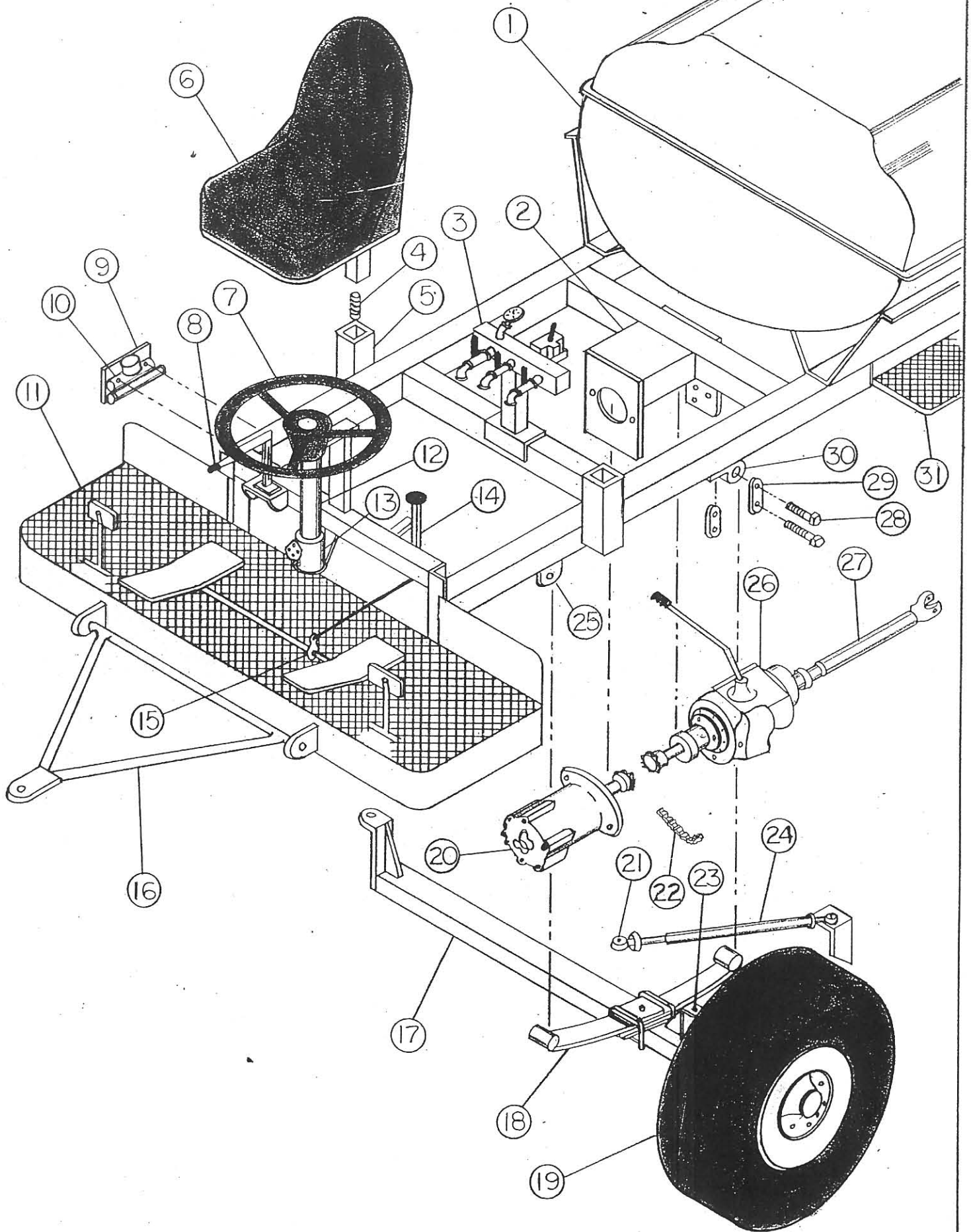


FRONT VIEW RW-II



FRONT VIEW- RW-11 w/FIBERGLASS TANK

<u>ITEM</u>	<u>QTY.</u>	<u>DESCRIPTION</u>	<u>PART NO.</u>
1	1	300 Gal. Fiberglass Tank	RMC1003
2	1	Transmission Mount	RMC1021
3	1	S & R Control Valve Assy.	RMC1542
4	2	Seat Spring	RP03160
5	2	Seat Mount	RMB2700
6	2	Seat	RP03159
7	1	Steering Wheel	RMB1148
8	1	Hand Brake Lever	RP03191
9	1	Master Cylinder Bracket	RMA5058
10	1	Master Cylinder	RP03161
11	1	Platform Assy.	RMC2501
12	1	Steering Column	RMB2045
13	1	Steering Box	RP03162
14	1	Quadrostat Control	RP03192
15	1	Hydrostat Control Arm	RMB1287
16	1	Tow Bar Assy.	RMC1054
17	1	Front Axle	RMB1108
18	2	Leaf Spring Assy.	RP03169
19	2	Front Tire	RP03170
20	1	Hydrostatic Motor	RP03168
21	2	Tie Rod End	RP03171
22	1	Chain	RP03172
23	2	Ball Joint	RP03173
24	1	Pittman Arm Linkage	RMB1362
25	2	Hanger	RP03167
26	1	Hydrostatic Transmission	RP03166
27	1	Drive Line Assy.	RP03190
28	4	Bolts/Lock Nuts	RP03165
29	4	Eye Bolt Plate	RP03164
30	2	Eye Bolt	RP03163
31	1	Side Step	RMB1138