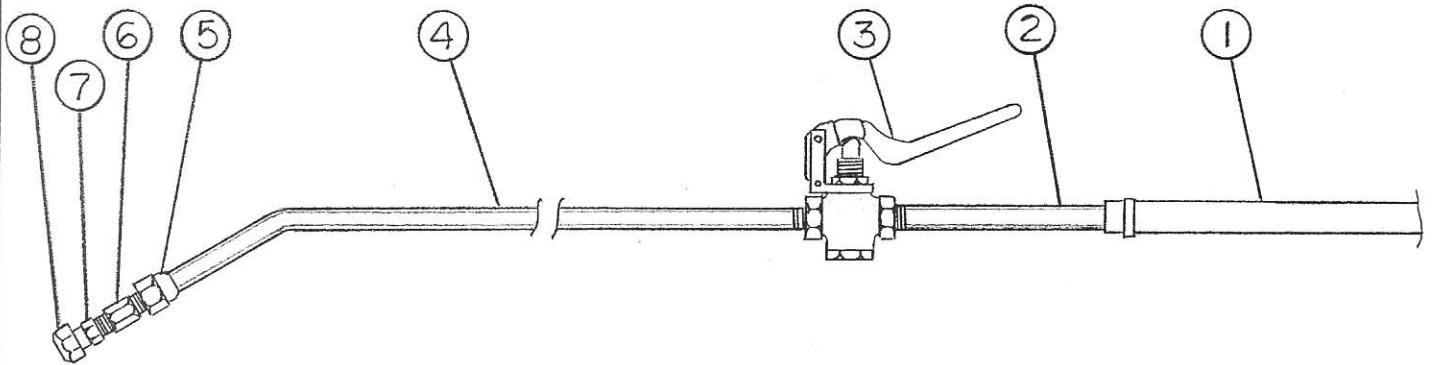


HAND WAND ASSY.



<u>ITEM</u>	<u>QTY.</u>	<u>DESCRIPTION</u>	<u>PART NO.</u>
1	1	Hose	RP03557
2	1	Handle	RP03558
3	1	Trigger Valve	RP03559
4	1	Extention	RP03560
5	1	Adaptor	RP03561
6	1	Body	RP03562
7	1	Body	RP03563
8	1	Nozzle	RP03564
N.I.	1	Brass Cap	RP03199
		Complete Assy.	ASP1044